

SMART Upflow Dispenser

HC56L-UFD



Please read this instruction manual before

This appliance is intended to be used indoor only

Please call our Service Department if encounter any problems when using the appliance.

Phone : 2460 2663

Fax : 2464 4833


Email : info@tiptopwater.com.hk


Website : www.tiptopwater.com.hk

IMPORTANT NOTES

1. Dispenser should be placed on a hard level surface. Leave at least 10cm behind the dispenser for ventilation.
2. Unplug the power cord if dispenser will not be used for a long time.
3. Do not modify the power plug or use an extension cord with this dispenser.
4. When the power cord is unplugged or the power supply to the dispenser is discontinued, please wait at least 3 minutes before re-connecting the power.
5. When cleaning the machine, unplug the power cord and use a clean cloth with neutral washing to wipe the surface of the dispenser. Do not spill the dispenser with water. Do not put the dispenser in water.
6. Do not place dispensers or bottled water near expensive furniture, appliances or power sources as water spill can cause serious damages. It is recommended to place a dispenser on a plastic mat.
Tip Top Water Group will not be responsible for claims against damages caused by water spill from carboy bottle water drinking system.

 **Caution : Hot water of this dispenser reaches 80° C**

 **Warning : If the power cord is damaged, you should call for service.**

 **Warning : This dispenser is not recommended to be used by children, elderly or any person in need without accompanied and guidance by an adult.**

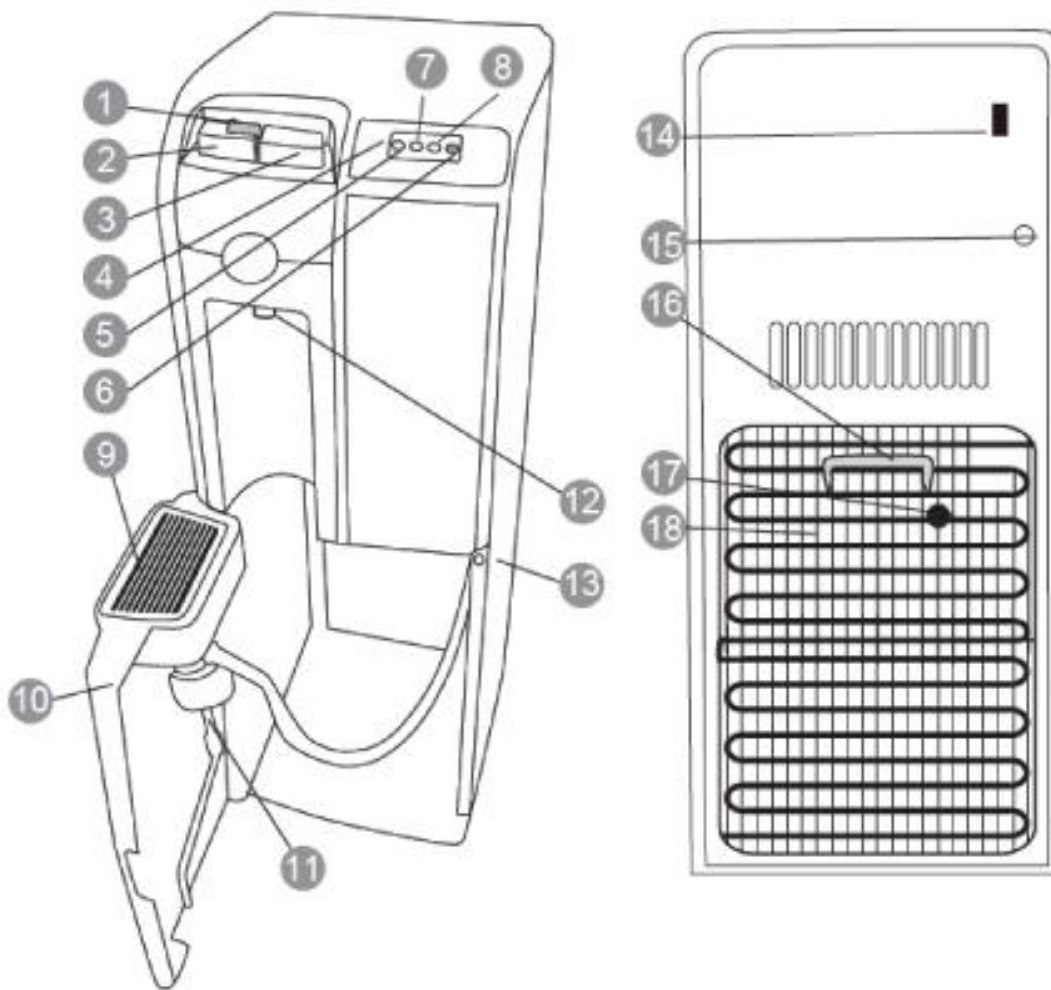
 **Warning : Please do not let children to play with the dispenser.**

GENERAL PRECAUTIONS

1. Should the condensing coil be covered by dust or foreign particles, please clean the coil with a dry cloth.
2. We recommend the dispenser to be fully sanitized in every 9 months. Please call our service department for details.
3. If there is any problem with the dispenser, please call our service department.

Tip Top Water Group shall not be liable for any conditions or damages resulting from accidents, alterations, exposure to elements, misuse abuse or failure to follow our instructions with respect to installation, cleaning or maintenance. In case of any dispute, Tip Top Water Group's determination shall be final.

DISPENSER DIAGRAM



1. Safety lock for hot water
2. Hot water faucet
3. Cold water faucet
4. Indicator Panel
5. LED indicator: heating
6. Hot water switch
7. LED indicator: cooling
8. LED indicator: change bottle
9. Drip Tray
10. Door
11. Water tube
12. Pipe
13. Safety button
14. Cold water switch
15. Temperature control for cold water
16. Carry Handle
17. Drain
18. Condensing Coil

NOTES FOR INSTALLATION

1. Place a new water bottle next to the dispenser. Remove the label and sticker of the cap (no need to tear the cap off). Open the door, adjust the stainless steel water tube to the desire length. Insert the water tube into the cap and push downward until the transparent membrane opens. Push the water bottle inside the bottle storage compartment through the ramp. Close the door. (Please note the pump cannot operate if the door is not closed properly.)
2. Connect the dispenser to the power supply. Dispenser would automatically start pumping water. Press the hot water faucet and cold water faucet until water comes out. Switch on the heating and cooling system by pressing hot water switch and cold water switch.

LED INDICATOR

Cooling (Blue)	Off : Cooling system is off Dim : Cooling Bright : Cold water reaches desire temperature
Heating (Red)	Off : Heating system is off Flashing : Heating Bright : Keeping Warm
Change Bottle (Yellow)	Off : No need to change water Flashing : No water in bottle, please change water

SPECIFICATIONS

Power Supply	220V - 50Hz
Protective Type of Anti-electric Shock	I
Rated Input (heating)	500W
Rated Input (cooling)	85W
Temperature	Cold : 7-10°C
	Hot : 82-85°C
Refrigerant	R134a